

BRADNAM'S

NEW ESSENTIAL SLIDING WINDOWS

A modern take on an old favourite



Bradnam's
windows & doors

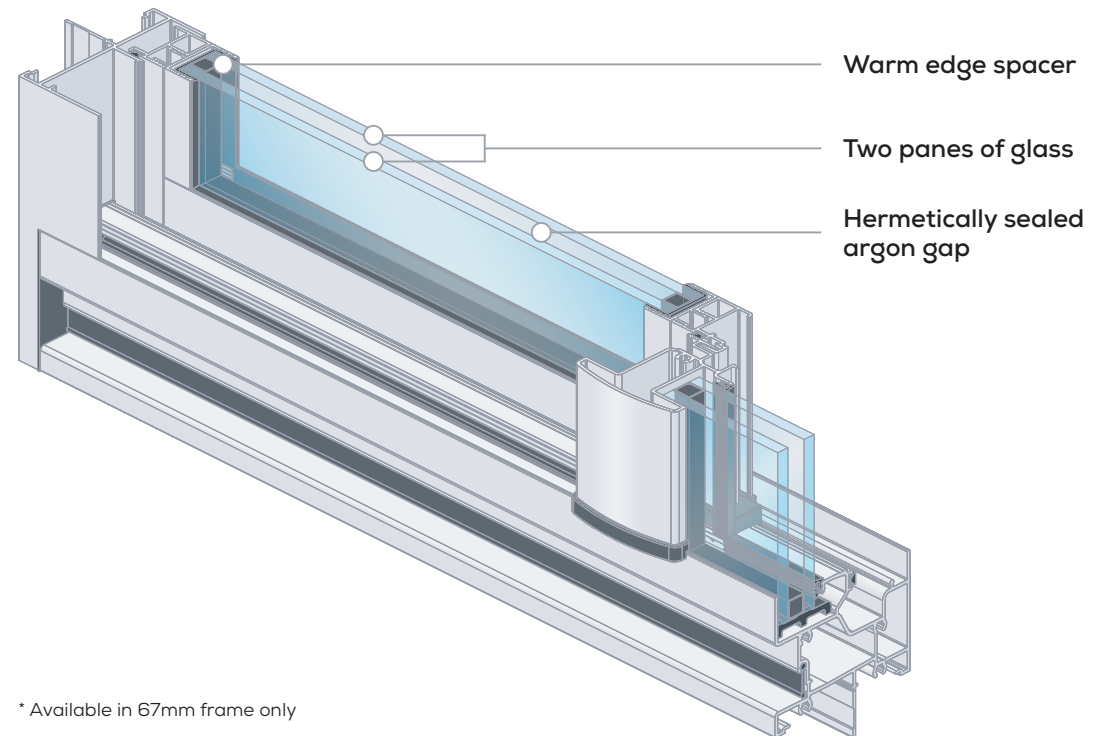
Beachwood Homes

ESSENTIAL SLIDING WINDOW

RANGE

Our **NEW Essential Sliding Window** range is a modern take on a traditional favourite – one that's sure to suit your home. Secure, easy to operate and easy on the eyes, this new range is packed full of features and benefits, including double glazing.

High-Performance Double Glazing*



* Available in 67mm frame only

Features & Benefits

Standard

- Ideal as a servery window
- Ergonomic and easy-to-use handle
- Wide openings invite fresh air into your home
- Can be used as a kitchen splashback to bring in more light and ventilation
- Effortless operation with high-performance, adjustable rollers
- Anti-lift safeguards prevent manipulation of sashes from the outside
- Easy-to-clean wide track that can fit most vacuum heads
- Built-in sill baffle minimises the amount of dust getting inside the house
- Available in a range of lifestyle configurations
- Curtain-friendly design protects window furnishings from damage
- High-quality seals provide superior protection against the elements
- Architectural symmetry with other Bradnam's windows and doors
- Fully compliant with relevant Australian Standards

Optional

- Key lockable handle for extra security
- Wide range of screening solutions are available
- Reduce outside noise by incorporating our Sound Smart™ system
- Keys can be keyed alike with Bradnam's doors for convenience¹
- Openings can be restricted for upper storey windows
- Windows can be locked slightly open for ventilation using vent locks
- Create a Hamptons look with colonial bars
- Suitable for cyclonic regions
- Bushfire rated – certified up to BAL 40

¹ Excludes vent locks, patio bolts and cam handles

Performance Parameters

	52mm Frame	67mm Frame
Maximum window height (with transoms)	3225mm	3225mm
Maximum window height (without transoms)	1550mm	1550mm
Maximum window width	4820mm	4820mm
Maximum panel width	1445mm	1445mm
Maximum panel weight	30kg	50kg
Maximum water rating	450Pa	450Pa
Maximum wind rating	5900Pa ULS	5900Pa ULS
Maximum glass thickness (single glazed)	6.76mm	6.76mm
Maximum glass thickness (double glazed)	N/A	18mm
Maximum acoustic rating	Rw32	Rw33
Maximum bushfire rating	BAL 40	BAL 40
Lowest U-value (single glazed)	4.5	4.6
Lowest U-value (double glazed)	N/A	3.0

Note: Performance figures are independent of each other and subject to conditions. Contact a Bradnam's Windows & Doors representative to discuss your specific project requirements.



For more information call Bradnam's on
1300 WINDOWS 1300 946369
or visit bradnams.com.au



/bradnams



/bradnamswindowsdoors



/company/bradnams-windows-and-doors



/bradnamswindowsanddoors

WINDOWS & DOORS

INSECT & SECURITY SCREENS

SHOWER SCREENS

MIRRORS & WARDROBES

GLASS SPLASHBACKS & SHELVING



Australian Owned & Made

Bradnam's products are proudly made in Australia and designed specifically to meet all Australian conditions.

Product availability, pricing, features, options, sizes, configurations and performance are subject to regional variations, design requirements and building codes.

Images are for illustration purposes only and may not accurately represent the product. Bradnam's Windows & Doors reserves the right to change, alter or delete any aspect of this product without notice.

We recommend visiting a Bradnam's showroom before ordering to view colour swatches, glass samples and actual products.



Bradnam's
windows & doors