



BRADNAM'S

# CASEMENT WINDOWS

Traditional style and elegance  
for today's modern homes



**Bradnam's**  
windows & doors

# Casement Window Range

If you're looking to invite fresh air into your home, you can't look past **casement windows**. Strong, secure and stylish, Bradnam's casement windows are a long established favourite with a range of practical benefits.

## Essential Casement Windows

Welcome the fresh air into your home with our '**Essential**' casement windows. An old-style favourite reimaged in a contemporary setting, our casement windows have an almost 90 degree opening angle and are great for ventilation.

## Signature Casement Windows

Architectural, sturdy and oh-so-very classy, our '**Signature**' casement windows accentuate picturesque views with a 'picture frame' look created with improved mitre joints and narrow frame profiles.

## Signature LB Casement Windows

Our premium '**Signature LB**' casement windows are strong, secure and stylish. Best of all, optional security and insect screens can be installed to keep bugs and intruders out without compromising access to the handle.

# Performance Parameters

	Essential	Signature	Signature LB
Frame size	52mm	100mm	100mm
Maximum window height	1800mm	1800mm	2400mm
Maximum window width	3440mm	3440mm	3440mm
Maximum panel width	860mm	860mm	860mm
Maximum panel weight	42kg	42kg	42kg
Maximum water rating	600Pa	600Pa	600Pa
Maximum wind rating	4500Pa ULS	4500Pa ULS	6000Pa ULS
Maximum glass thickness (single glazed)	12.76mm	12.76mm	12.76mm
Maximum glass thickness (double glazed)	24mm	24mm	24mm
Maximum acoustic rating	Rw37	Rw38	Rw38
Maximum bushfire rating	BAL 40	BAL 40	BAL 40
Lowest U-value (single glazed)	5.5	5.1	5.0
Lowest U-value (double glazed)	4.7	3.6	3.5

# Features & Benefits

Essential . Signature . Signature LB

## Lifestyle & Comfort

- Near 90 degree opening angle invites fresh air into your home
- Curtain-friendly design protects window furnishings from sharp edges
- Safety-first design with no exposed sharp edges

### Optional

- Openings can be restricted for upper storey windows
- Lockable handles for extra security

## Design & Aesthetic

- 'Picture frame' look created with improved mitre joints
- Architectural symmetry with other Bradnam's windows and doors
- Can be combined with fixed windows to create a design feature

## Performance & Reliability

- Effortless operation thanks to stainless steel stays
- Year-round weather proofing facilitated by high quality window seals

### Optional

- Save on energy bills and reduce outside noise with double glazing
- Bushfire rated – certified up to BAL 40

## + Premium Features

### Signature and Signature LB Only

- Superior structural integrity with larger 100mm frame width

### Signature LB Only

- Folding handles limit interference with window furnishings
- Wide range of optional screening available
- Effortless operation of large sashes thanks to dual arm stainless steel stays
- Lever and key operated multi point locking system
- Sleek finish, no unsightly screws visible



# Smart Solutions

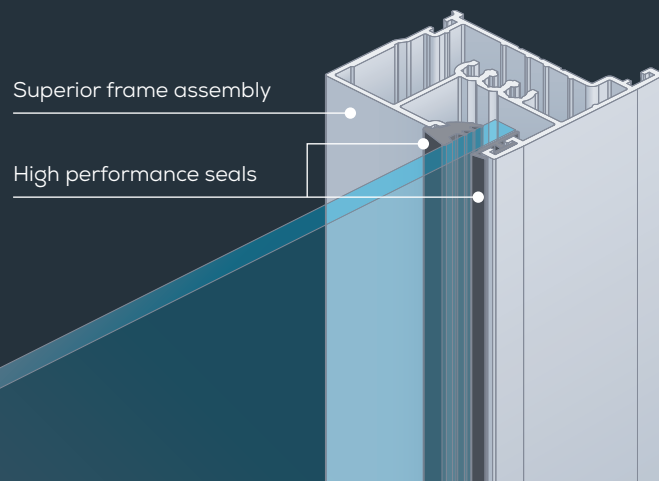
High Performance Windows and Doors

Building in today's environment demands the need to satisfy energy, acoustics, security and bushfire requirements. Bradnam's **Smart Solutions** range is designed to augment all Essential, Signature and Signature LB products to satisfy these needs.

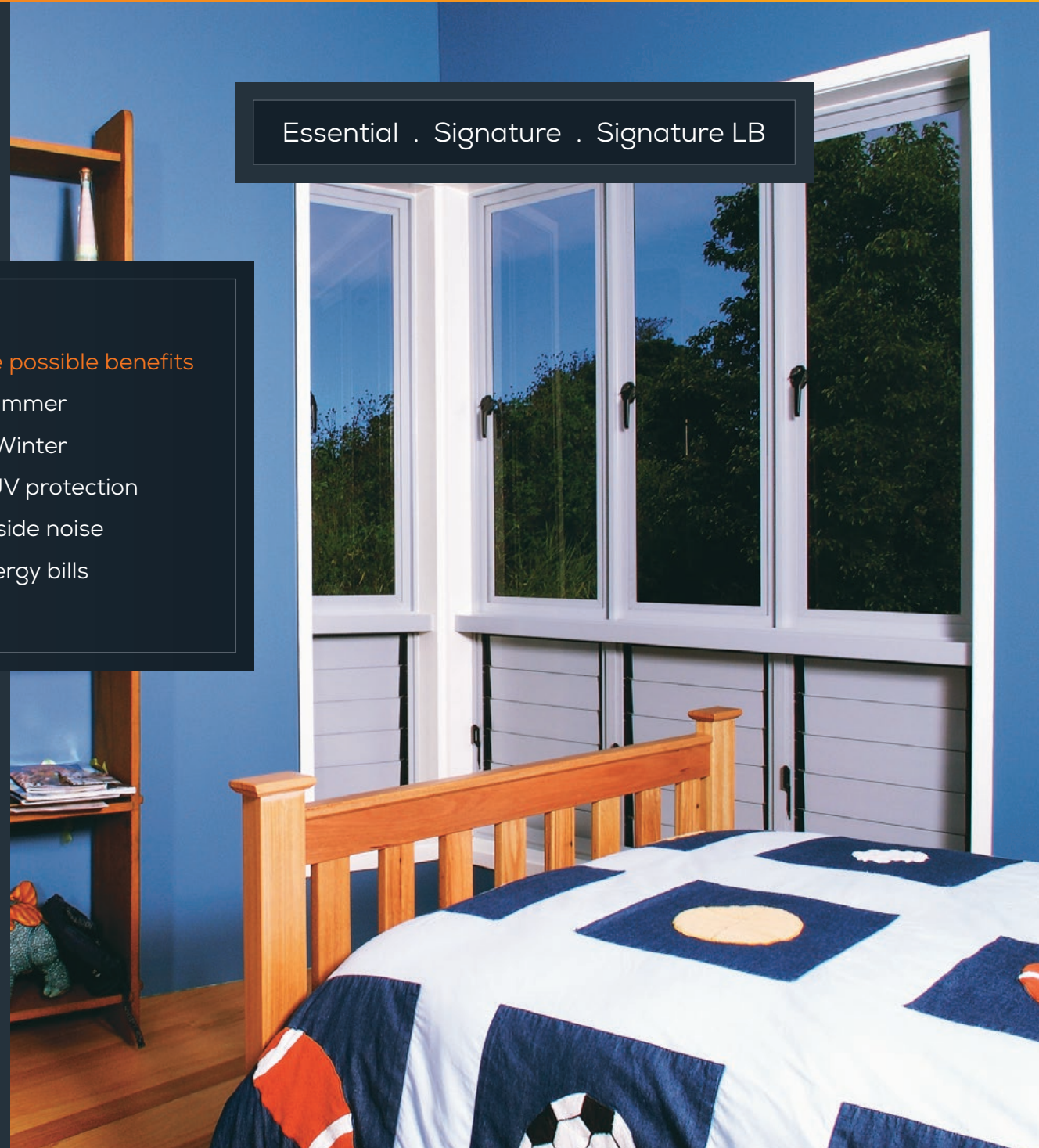
## Some of the possible benefits

- Cooler in Summer
- Warmer in Winter
- Enhanced UV protection
- Reduce outside noise
- Save on energy bills

Performance comes from **more than just glass**



Essential . Signature . Signature LB



As the market leader in Australia for aluminium and glass building products, Bradnam's have developed its range of **Smart Solutions** to meet all high performance requirements.

## + Premium Smart Solution

### Double Glazed

#### Year-round Comfort

- Acts as extra insulation by limiting the flow of hot or cold air in and out of your home
- Helps maintain comfortable temperatures inside across all seasons

#### Energy Reduction

- Reduce reliance on air conditioning and heaters – lowering electricity bills
- Consume less energy for a smaller carbon footprint

#### Noise Reduction

- Reduce outside noise – creating a quiet haven inside your home

#### Safety

- Extra strong resistance to unwanted attacks by intruders

## Climate Control Solutions

### Solar Comfort™

#### Year-round Comfort

- Designed to reflect heat away in summer and keep heat inside during winter
- Enjoy the ideal temperature in your home all year round – cooler in summer, warmer in winter

#### Energy Reduction

- Keep power bills down by reducing the need for additional heating and cooling
- Help save the environment by consuming less energy

### Solar Block™

#### Cooler in Summer

- Minimise the flow of heat into your home – enjoy summer without feeling the heat
- Acts like a pair of sunglasses for your home, reducing glare by up to 78%

#### Energy Reduction

- Save on electricity bills by reducing the need for air conditioners
- Minimise your carbon footprint by consuming less energy

## Specialty Solutions

### Safety

#### Safety

- Effective, affordable barrier against forced entry
- Enjoy peace of mind knowing that your home has extra protection

### Sound Smart™

#### Noise Reduction

- Reduce unwanted external noise – nearby traffic or noisy neighbours,

### FlameShield™

#### Superior Bushfire Protection

- Meets Australian Standard AS3959:2009, which is aimed to reduce the risk of loss of life and property in bushfire prone areas



# CASEMENT WINDOWS

Essential . Signature . Signature LB



# Hardware

The hardware displayed on this page are a guide only. Bradnam's recommend the viewing of an actual hardware product prior to order.

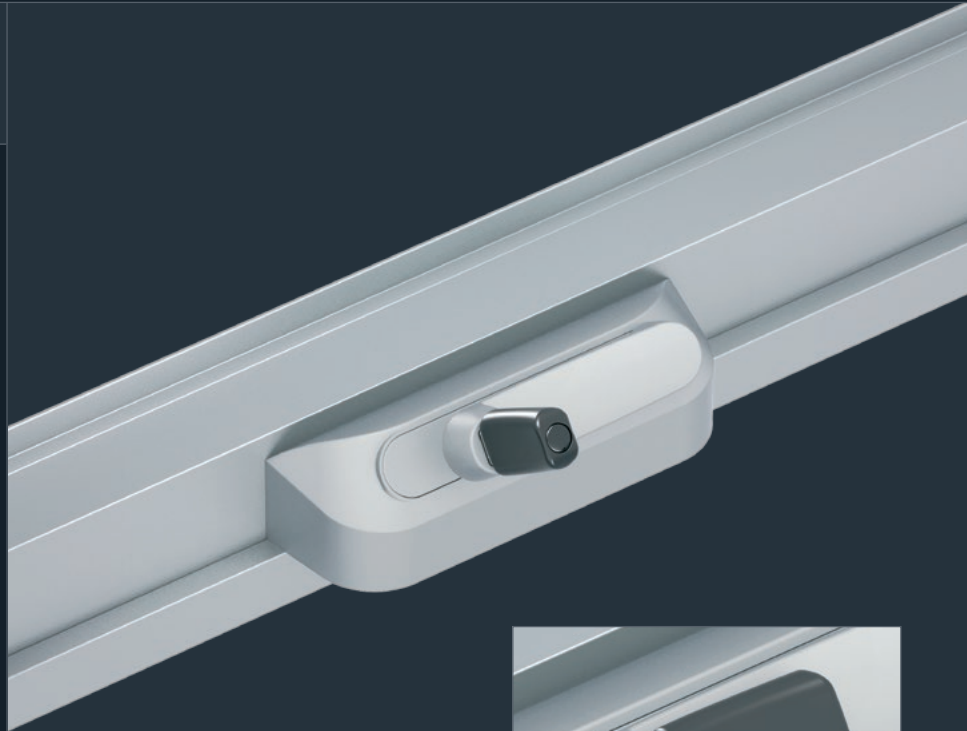
	Black Gloss	White	Ultra Silver	Stainless Steel Finish
ESSENTIAL	•	•	•	•
SIGNATURE	•	•	•	•
SIGNATURE LB	•	•	•	

## SIGNATURE LB

## ESSENTIAL

## SIGNATURE

Lever & key locking system



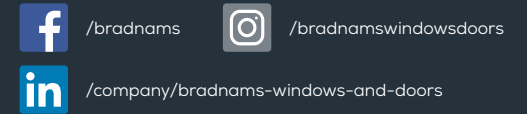
Handle can be folded to minimise interference with window furnishings







For more information call Bradnam's on  
**1300 WINDOWS** 1300 946369  
 or visit [bradnams.com.au](http://bradnams.com.au)



WINDOWS & DOORS

INSECT & SECURITY SCREENS

SHOWER SCREENS

MIRRORS & WARDROBES

GLASS SPLASHBACKS & SHELVING



**Australian Owned & Made**

Bradnam's products are proudly made in Australia and designed specifically to meet all Australian conditions.

Product availability, pricing, features, options, sizes, configurations and performance are subject to regional variations, design requirements and building codes.

Images are for illustration purposes only and may not accurately represent the product. Bradnam's Windows & Doors reserves the right to change, alter or delete any aspect of this product without notice. We recommend visiting a Bradnam's showroom before ordering to view colour swatches, glass samples and actual products.



 **Bradnam's**  
 windows & doors

Bradnam's Windows and Doors . QBCC Act lic 58885  
 © Bradnam's Windows and Doors . v2 May 2019