



BRADNAM'S

FIXED WINDOWS

PRODUCT INFORMATION

Product performance is subject to regional variations, design requirements and building codes. Performance parameters are independent of each other.

Images are for illustration purposes only and may not accurately represent the product. Bradnam's Windows & Doors reserves the right to change, alter or delete any aspect of this product without notice.

PERFORMANCE PARAMETERS

CONFIGURATIONS

COLONIAL BAR OPTIONS

REVEAL SETBACKS

BUTT JOINT MEASUREMENTS

SILL REBATES



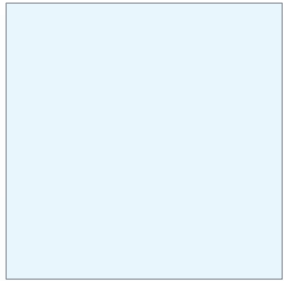
PERFORMANCE PARAMETERS

	Essential	Signature
Frame size	52mm	100mm
Maximum window height	5340mm	6000mm
Maximum window width	5340mm	6450mm
Maximum panel width	2200mm	3000mm
Maximum water rating	600Pa	600Pa
Maximum wind rating	6000Pa ULS	6000Pa ULS
Maximum glass thickness (single glazed)	12.76mm	12.76mm
Maximum glass thickness (double glazed)	24mm	24mm
Maximum acoustic rating	Rw37	Rw38
Maximum bushfire rating	BAL 40	BAL 40
Lowest U-value (single glazed)	3.8	4.2
Lowest U-value (double glazed)	2.0	2.4

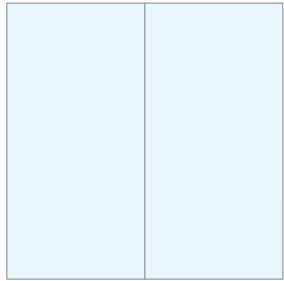
Note: Performance figures are independent of each other and subject to conditions. Contact a Bradnam's Windows & Doors representative to discuss your specific project requirements.

CONFIGURATIONS

Standard



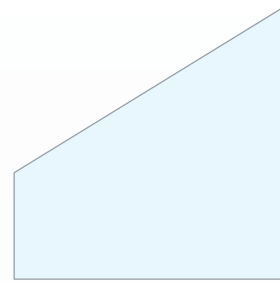
F



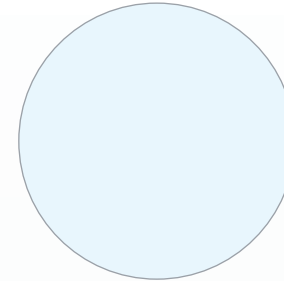
FF



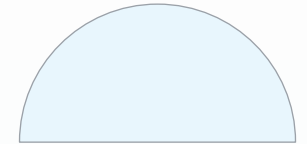
F/F



Rake



Circle

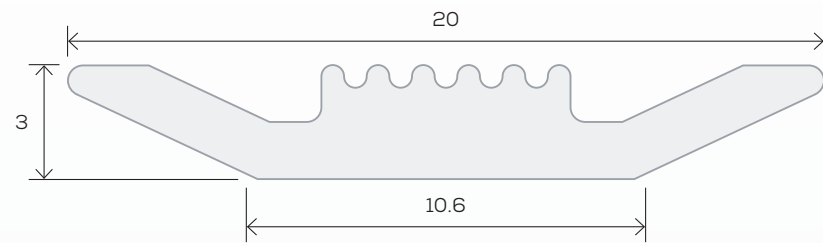


Arch

COLONIAL BAR OPTIONS

Types of Colonial Bar

Scale 5:1



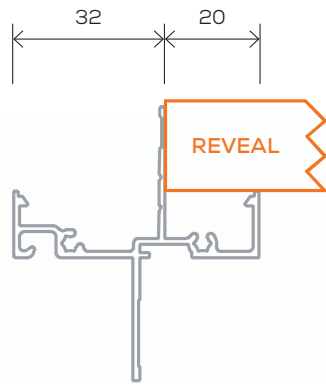
Raised



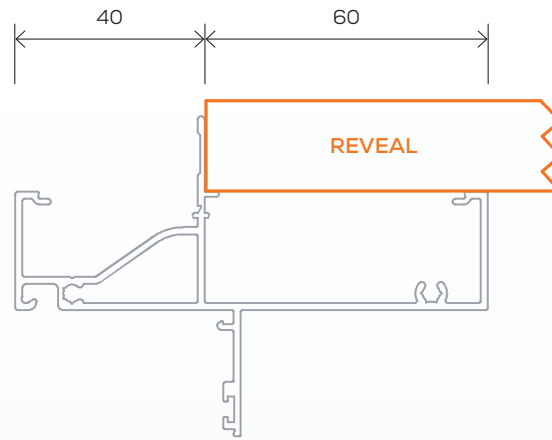
Flat

REVEAL SETBACKS

Note: Diagrams are not to scale



Essential Fixed Window (52mm)



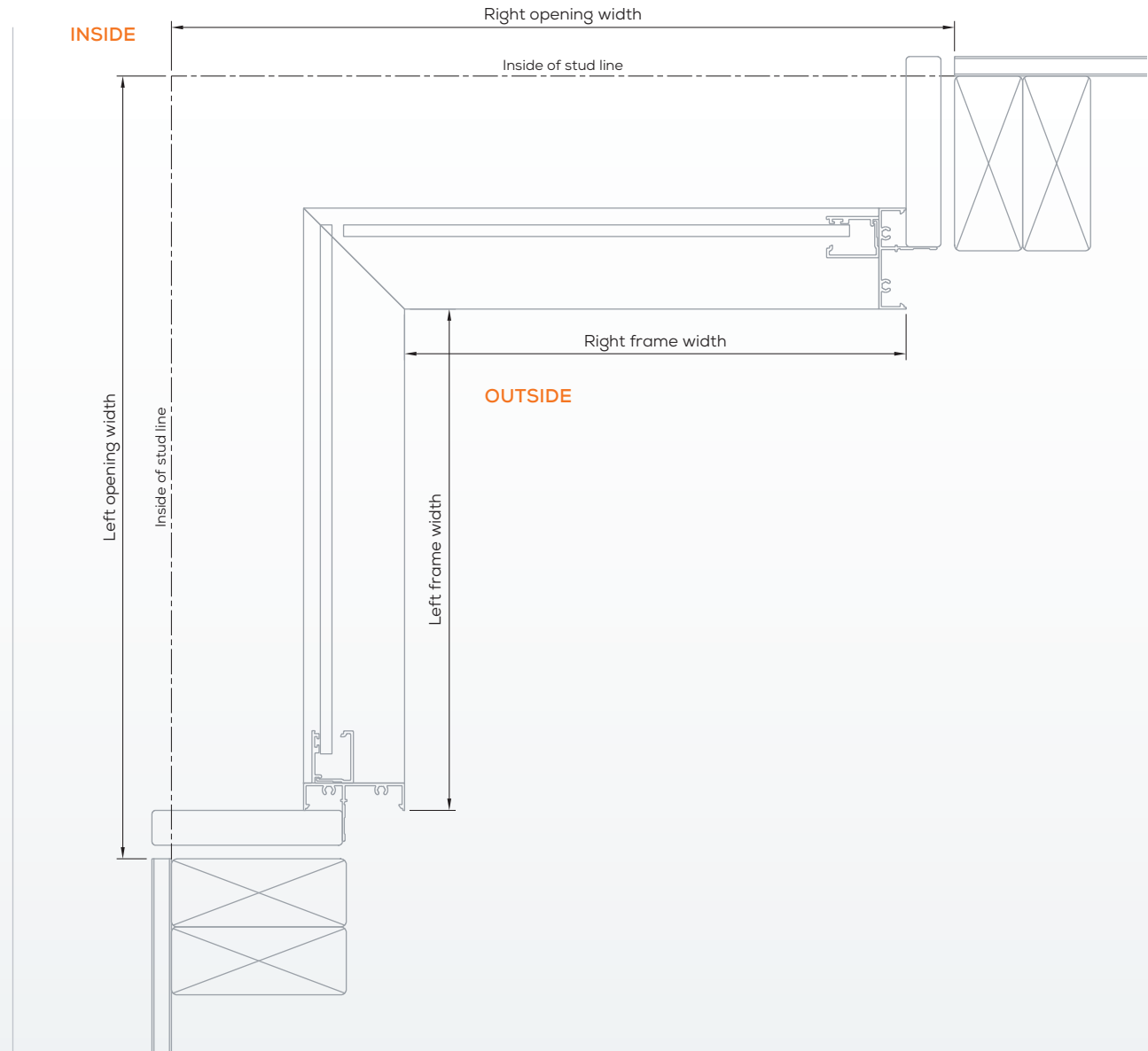
Signature Fixed Window (100mm)

BUTT JOINT MEASUREMENTS

Note: Diagrams are not to scale

Essential External Fixed Lite 52mm Internal 90° Butt Joint

81mm Reveals:	Frame width = Opening width – 128
98mm Reveals:	Frame width = Opening width – 145
100mm Reveals:	Frame width = Opening width – 147
116mm Reveals:	Frame width = Opening width – 163
125mm Reveals:	Frame width = Opening width – 172
138mm Reveals:	Frame width = Opening width – 185

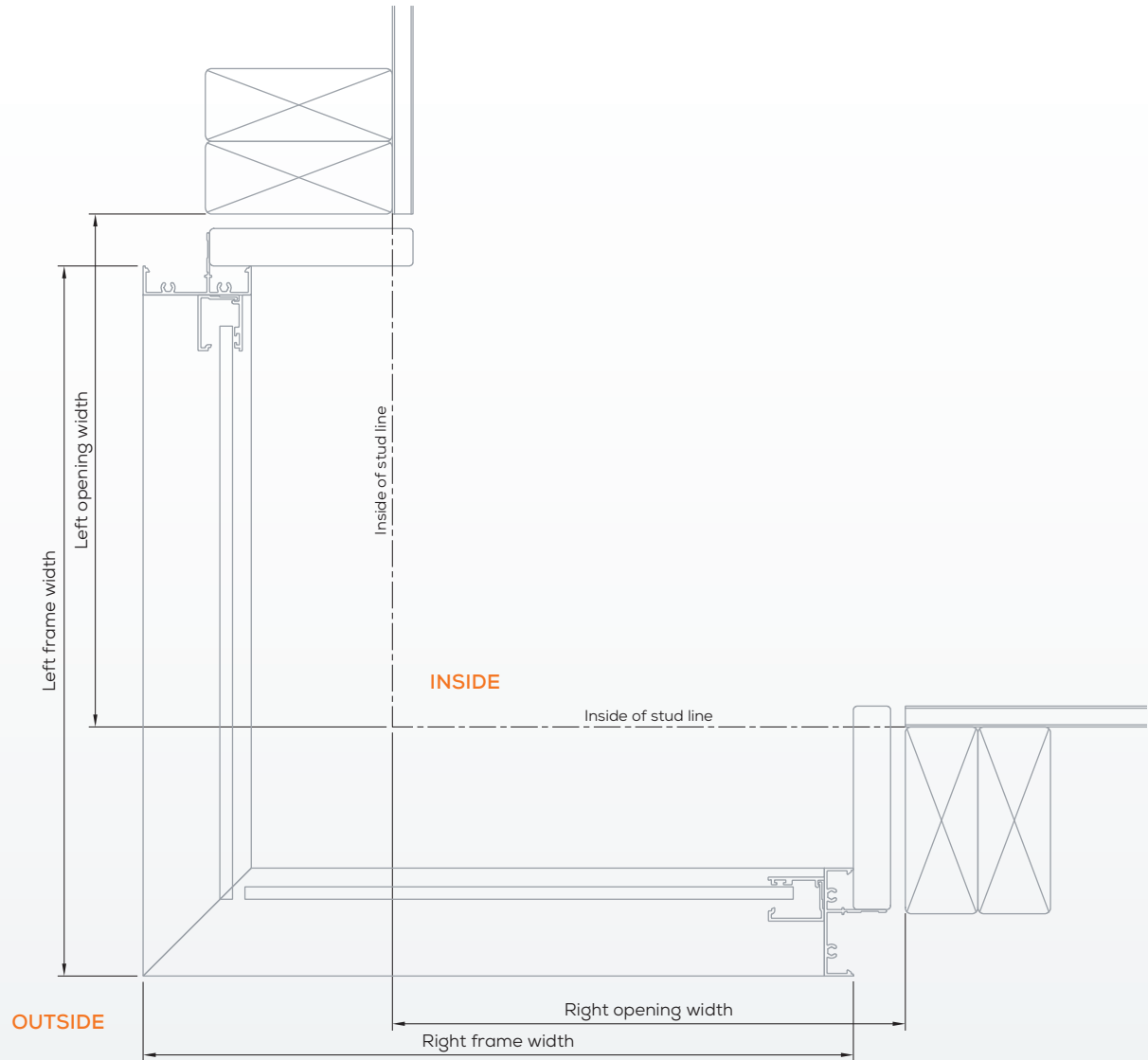


BUTT JOINT MEASUREMENTS

Note: Diagrams are not to scale

Essential External Fixed Lite 52mm External 90° Butt Joint

81mm Reveals:	Frame width = Opening width + 78
98mm Reveals:	Frame width = Opening width + 95
100mm Reveals:	Frame width = Opening width + 97
116mm Reveals:	Frame width = Opening width + 113
125mm Reveals:	Frame width = Opening width + 122
138mm Reveals:	Frame width = Opening width + 135

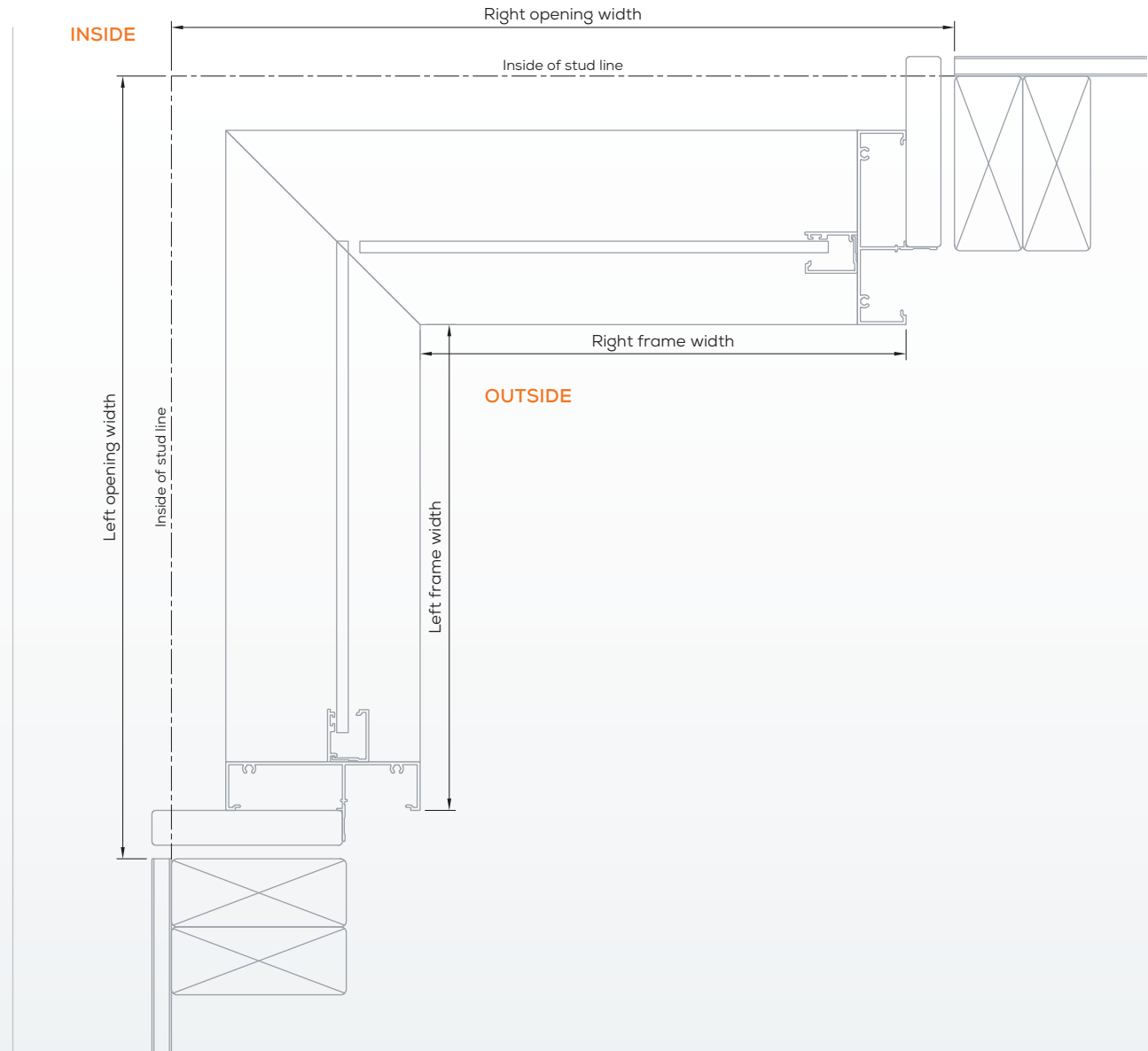


BUTT JOINT MEASUREMENTS

Note: Diagrams are not to scale

Signature External Fixed Lite 100mm Internal 90° Butt Joint

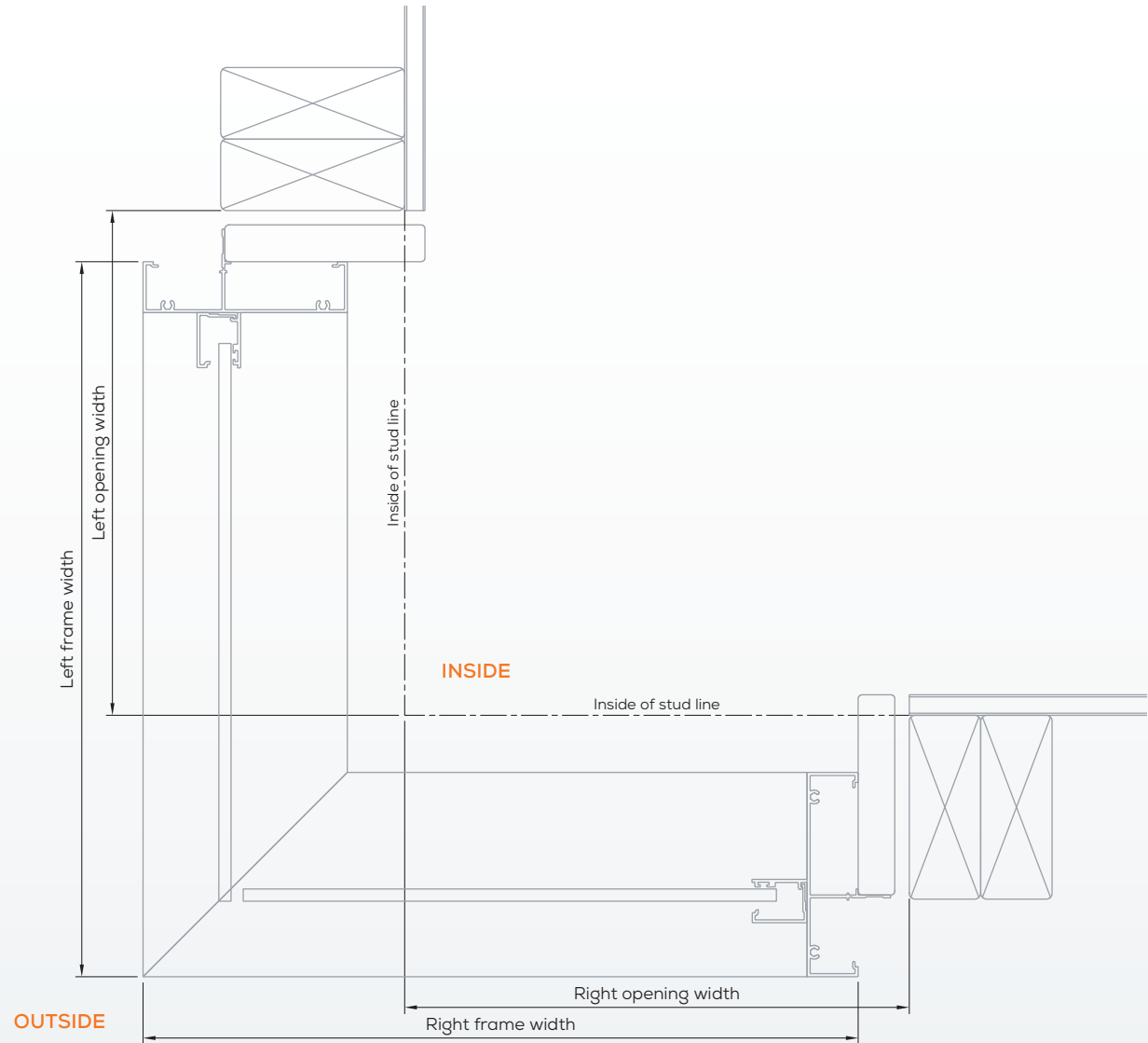
81mm Reveals:	Frame width = Opening width – 136
98mm Reveals:	Frame width = Opening width – 153
100mm Reveals:	Frame width = Opening width – 155
116mm Reveals:	Frame width = Opening width – 171
125mm Reveals:	Frame width = Opening width – 180
138mm Reveals:	Frame width = Opening width – 193



BUTT JOINT MEASUREMENTS

Signature External Fixed Lite 100mm External 90° Butt Joint

81mm Reveals:	Frame width = Opening width + 86
98mm Reveals:	Frame width = Opening width + 103
100mm Reveals:	Frame width = Opening width + 105
116mm Reveals:	Frame width = Opening width + 121
125mm Reveals:	Frame width = Opening width + 130
138mm Reveals:	Frame width = Opening width + 143

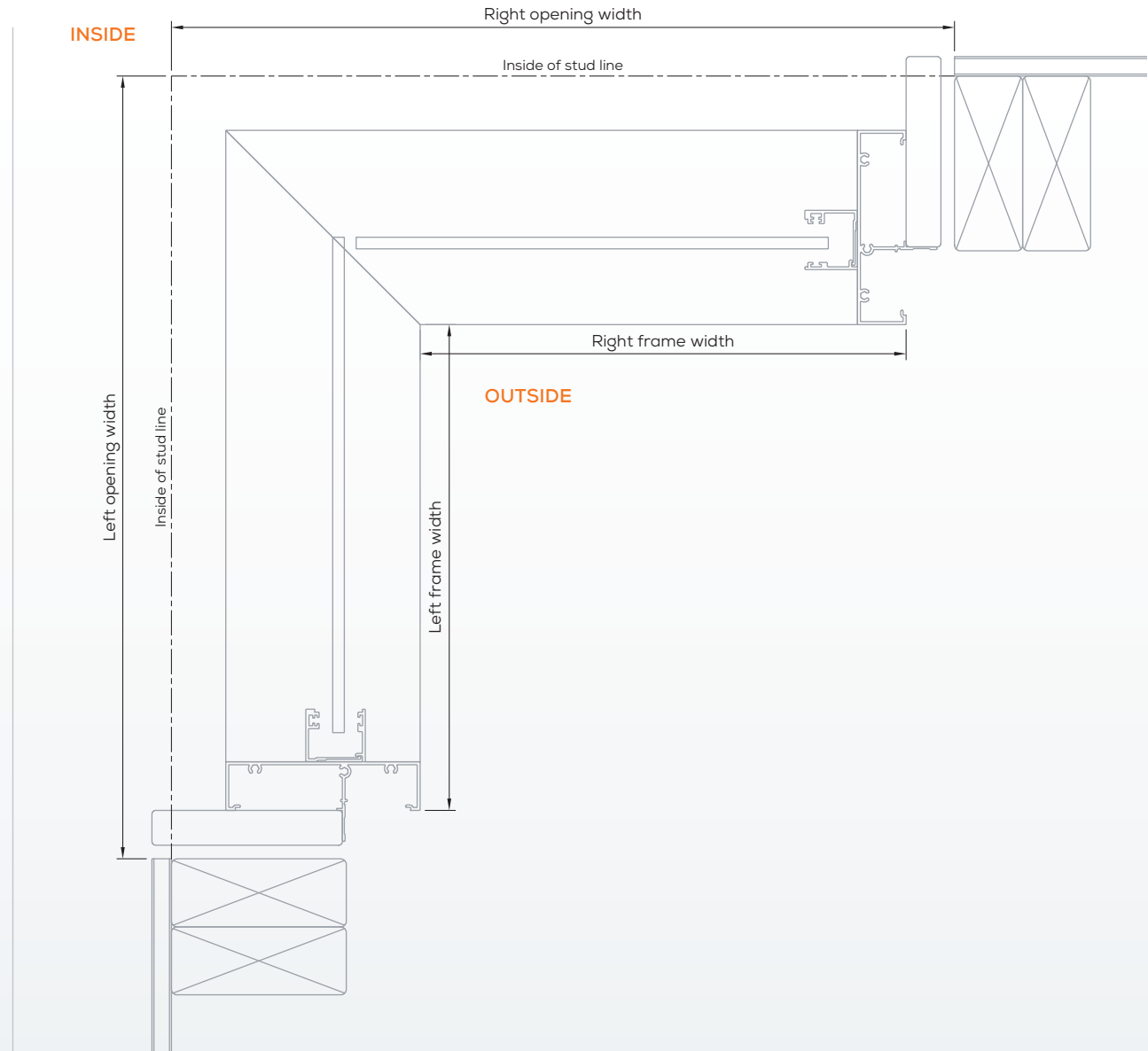


BUTT JOINT MEASUREMENTS

Note: Diagrams are not to scale

Signature Internal Fixed Lite 100mm Internal 90° Butt Joint

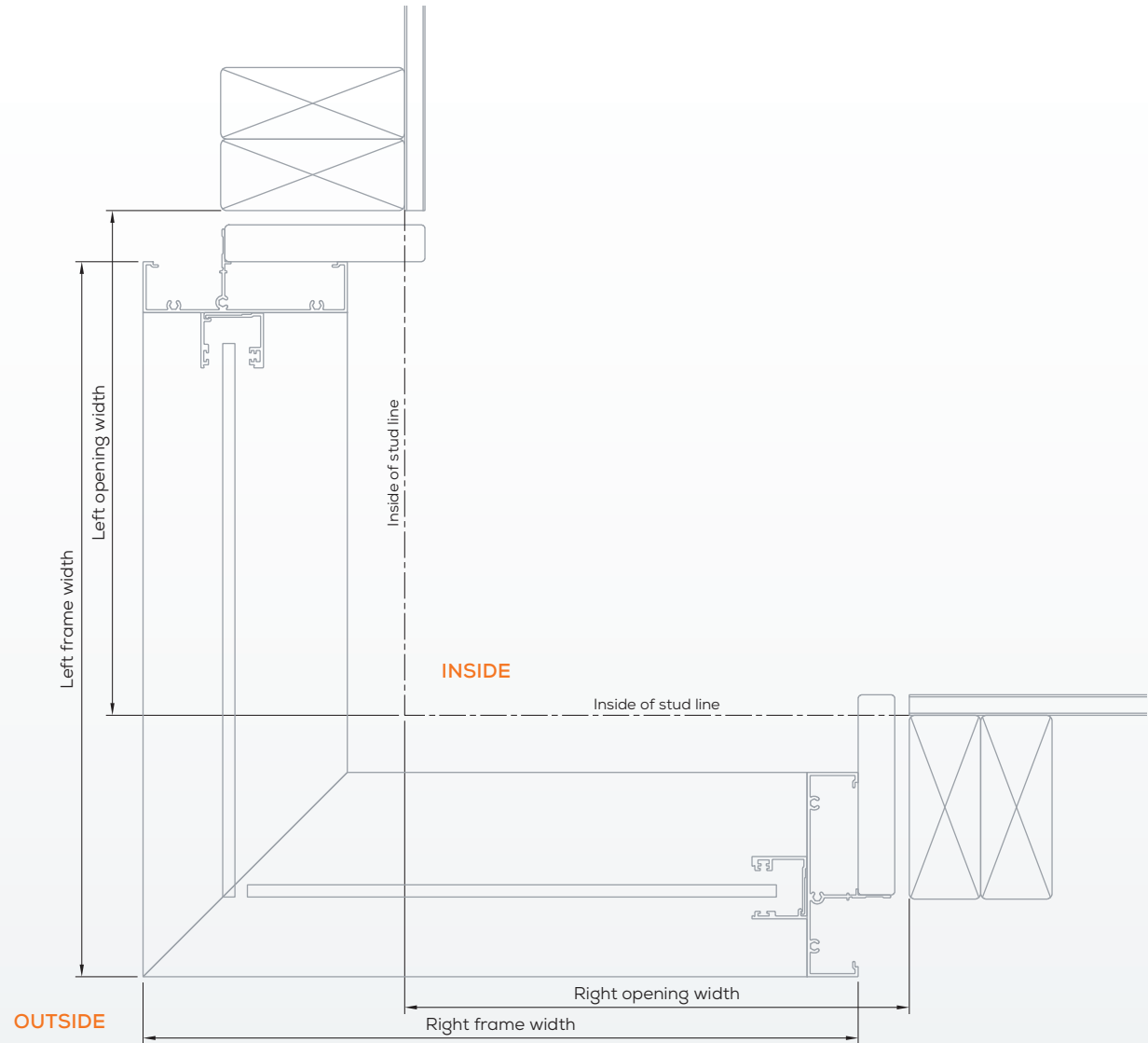
81mm Reveals:	Frame width = Opening width – 136
98mm Reveals:	Frame width = Opening width – 153
100mm Reveals:	Frame width = Opening width – 155
116mm Reveals:	Frame width = Opening width – 171
125mm Reveals:	Frame width = Opening width – 180
138mm Reveals:	Frame width = Opening width – 193



BUTT JOINT MEASUREMENTS

Signature Internal Fixed Lite 100mm External 90° Butt Joint

81mm Reveals:	Frame width = Opening width + 86
98mm Reveals:	Frame width = Opening width + 103
100mm Reveals:	Frame width = Opening width + 105
116mm Reveals:	Frame width = Opening width + 121
125mm Reveals:	Frame width = Opening width + 130
138mm Reveals:	Frame width = Opening width + 143

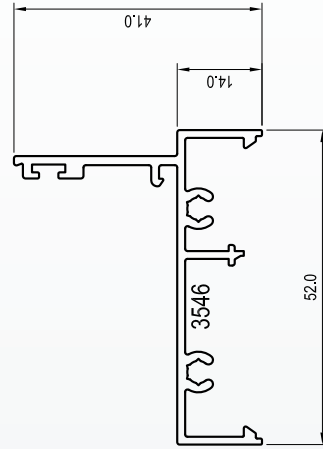


SILL REBATES

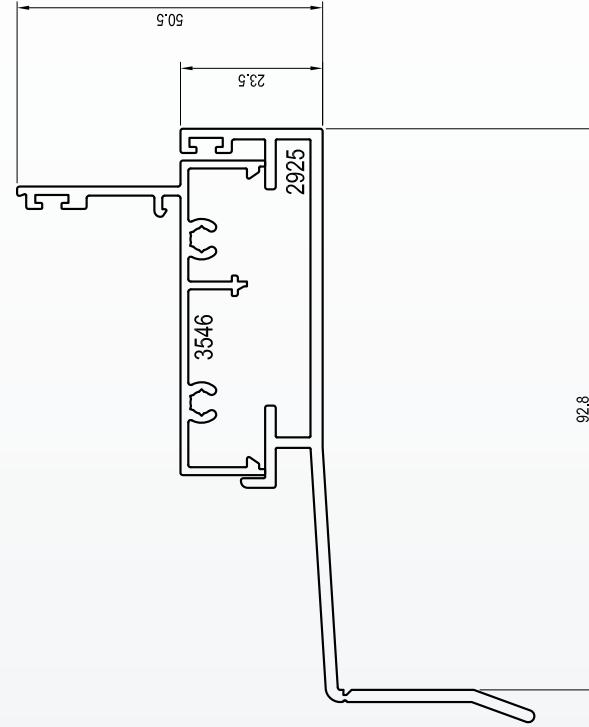
Note: Diagrams are not to scale

Essential Fixed Window 52

3546 FRAME EXT 52



3546 FRAME EXT 52 WITH 2925 SUBSILL '35' 52

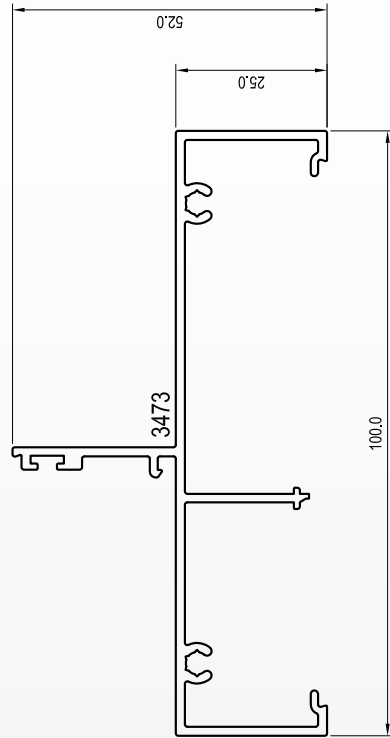


SILL REBATES

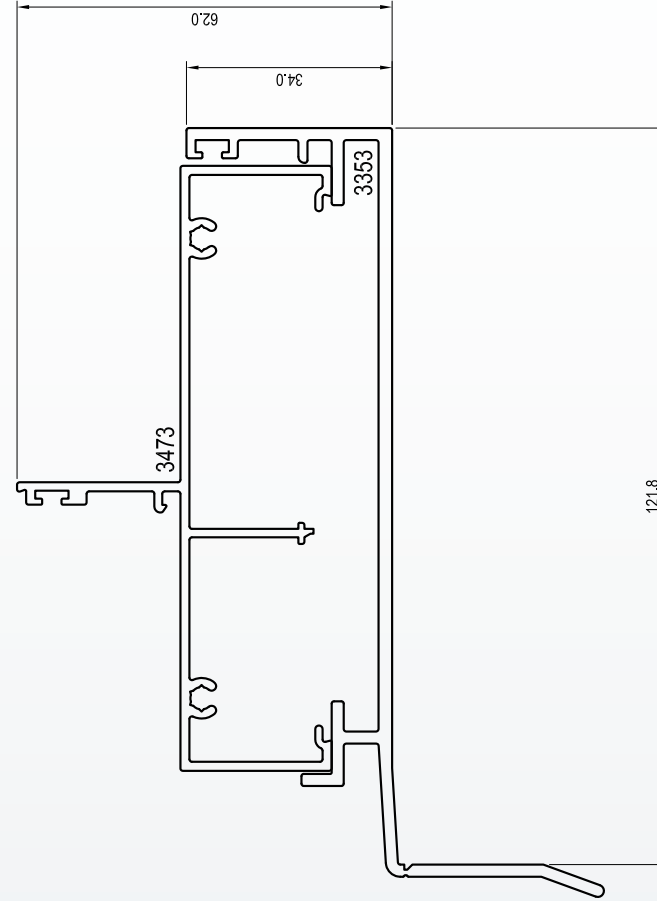
Note: Diagrams are not to scale

Signature Fixed Window 100 Ext

3473 FRAME 100



3473 FRAME 100 WITH 3353 SUBSILL '15' 100

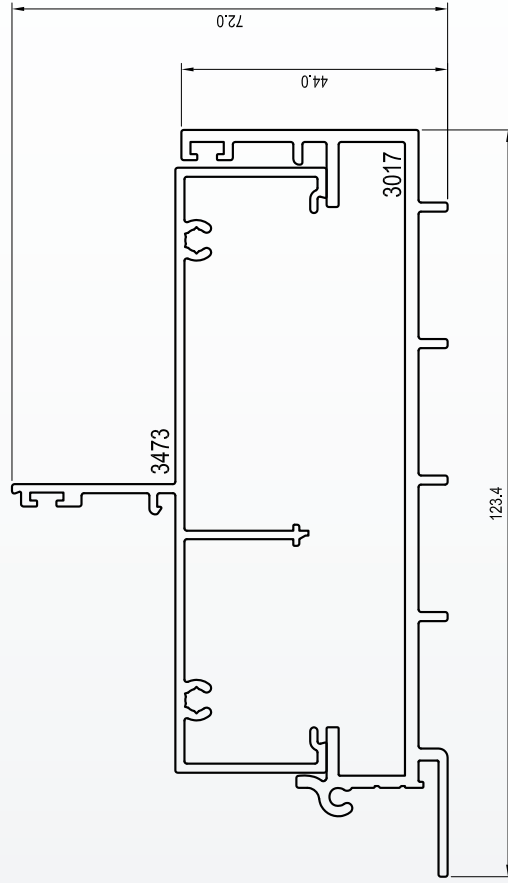


SILL REBATES

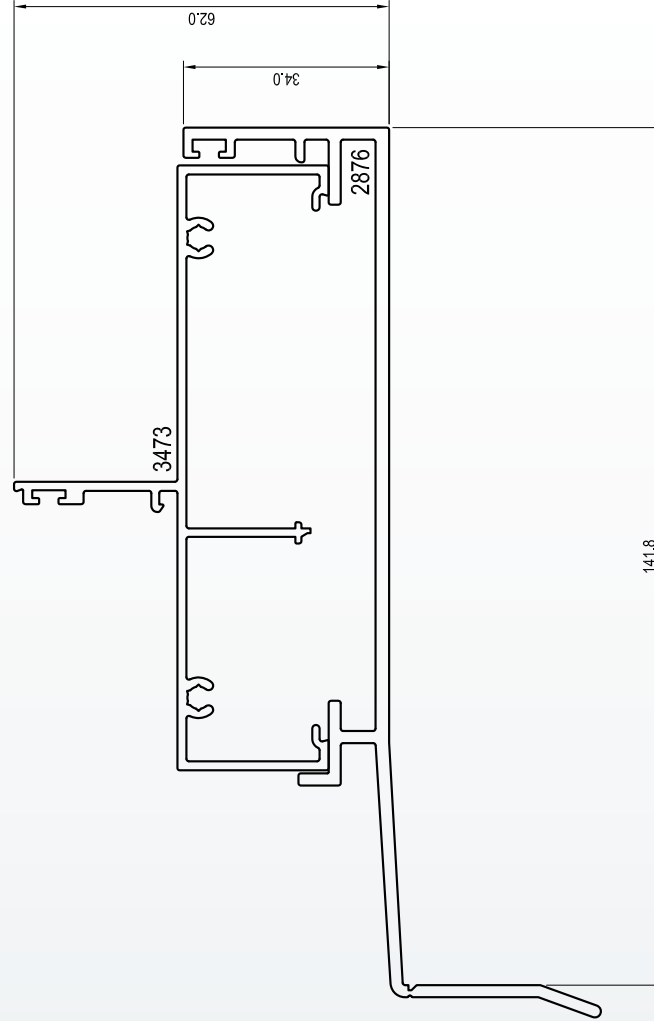
Note: Diagrams are not to scale

Signature Fixed Window 100 Ext

3473 FRAME 100 WITH 3017 SUBSILL BAFFLED 100



3473 FRAME 100 WITH 2876 SUBSILL '35' 100

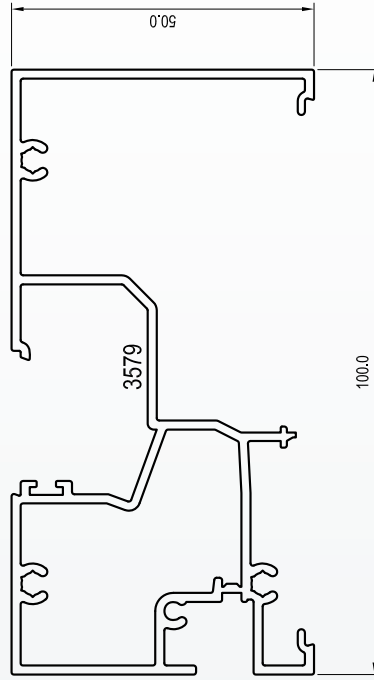


SILL REBATES

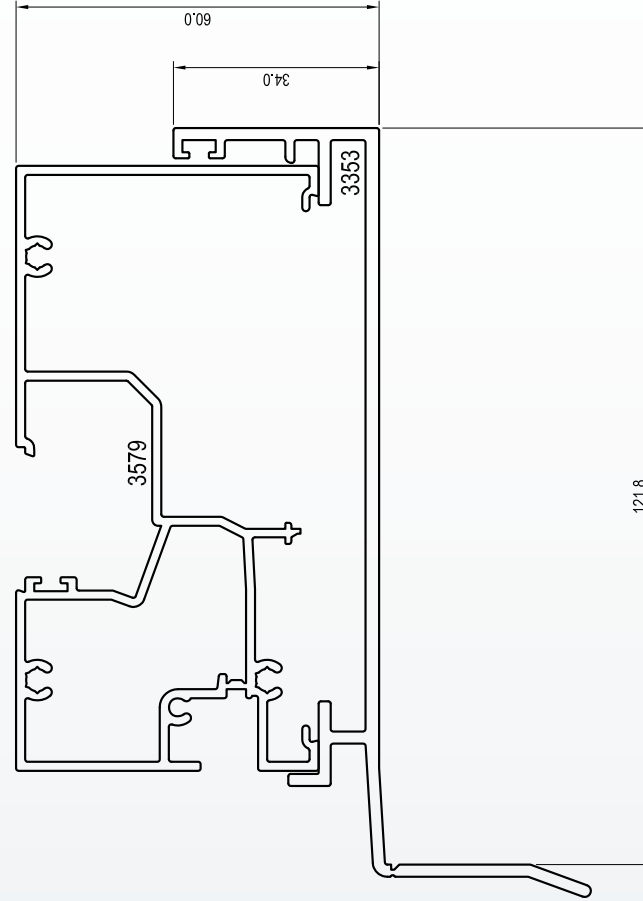
Note: Diagrams are not to scale

Signature Fixed Window 100 Int

3579 SILL IFL STD



3579 SILL IFL STD WITH 3353 SUBSILL '15' 100

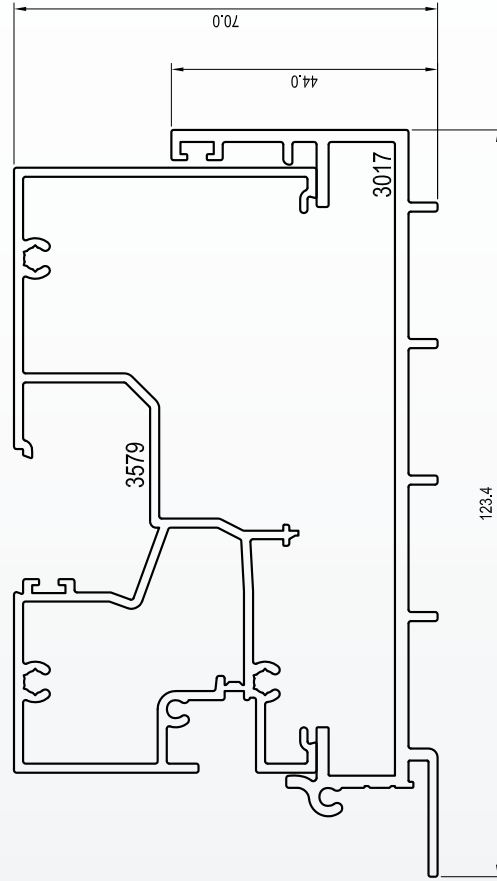


SILL REBATES

Note: Diagrams are not to scale

Signature Fixed Window 100 Int

3579 SILL IFL STD WITH 3017 SUBSILL BAFFLED 100



3579 SILL IFL STD WITH 2876 SUBSILL '35' 100

